



Service Solutions Group

- *STARTUP*

- *TROUBLESHOOTING*



- *PUMP & SEAL REPAIRS*

- *INSPECTION*

- *VALVE AUTOMATION*

- *LASER ALIGNMENT*



- *CUSTOM LAPPING*

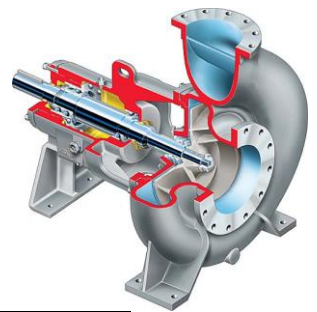


Service Solutions Group

Our Service team consists of factory trained personnel with the experience and knowledge enabling us to be your partner in solving process equipment issues in all industries.

Pump Repairs

No matter what style or make of pump in your plant, count on Power & Mine's Service Solutions Group to provide unmatched inspection, reporting and repair of all your process pumps. Upgrade services, pump surveys, pump monitoring and "bad actor" assessments are a few of the value added support we offer to our customers.



Mechanical Seal Repairs

As central Canada's only in house mechanical seal repair facility, we can offer quick response for emergency repairs. Our state of the art seal department has the capacity to lap, polish and inspect to within 1 lightband on parts up to 9" in diameter. This includes tungsten carbide, silicon carbide, ceramic, ni-resist and carbon seal faces.



As plants become more automated, many plant owners and operators are electing to automate existing valves with electric actuators. Electric actuators interface very well with new or upgraded plant-wide control systems. Power & Mine's Service Solutions Group has the knowledge and experience to determine actuation requirements for valves in all applications.



Valve Automation featuring Auma Electric Actuators

auma[®]
Solutions for a world in motion

Cooling Tower Repair

Cooling tower services including inspections, rebuilds, upgrades and turn-key projects.



Process equipment users throughout central Canada rely on Power & Mine Supply to simplify the installation of their process pumps, chemical metering pumps and other industrial equipment. Our packaged systems eliminate very costly and time consuming built-on-site equipment installations by arriving on site skidded, piped and requiring minimal setup. We will design packages for customer approval and comply with customer provided specifications.

Design and Fabrication of Packaged Systems





Service Solutions Group

Unit 4 – 75 Meridian Drive
Winnipeg, Manitoba
R2R 2V9

Phone: 204.694.9300 Fax: 204.694.7876
Email: service@powerandmine.ca

Repair Services

All makes of pumps and pump styles

Submersible, centrifugal, gear,
diaphragm

All makes of Mechanical Seals

Seal Failure Reports

Repair and Automation of all valve
types

Equipment testing of pumps
valves & process equipment

24/7 after hours line for emergency
shutdowns

Field Services

Equipment startup & training

Equipment commissioning

Laser alignments

Balancing

Vibration analysis

Cooling Tower Repair / Upgrades

Installation & removal service

Field repair service of rotating
equipment

Seal installation assistance



Regina

Tel: 306.791.0417
Fax: 306.791.0418

Saskatoon

Tel: 306.244.7274
Fax: 306.244.9911

Winnipeg

Tel: 204.694.9300
Fax: 204.694.7876

Thunder Bay

Tel: 807.622.4044
Fax: 807.622.3235

Head Office: Unit 4 – 75 Meridian Drive, Winnipeg, Manitoba, R2R 2V9